

DO NOT SCALE

DIMENSIONS IN mm UNLESS OTHERWISE STATED

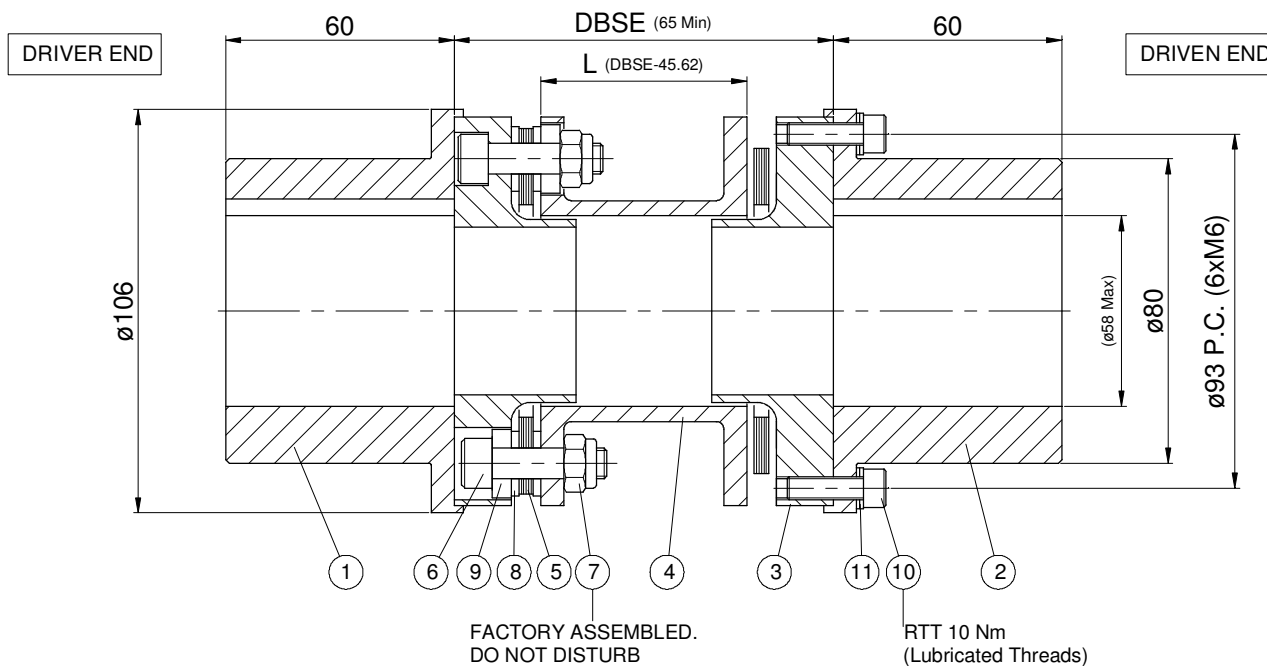
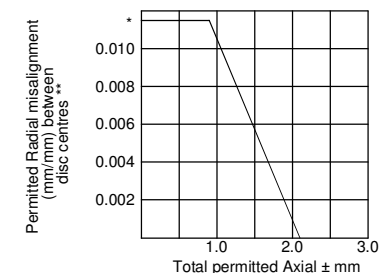
3rd ANGLE PROJECTION

## PARTS LIST

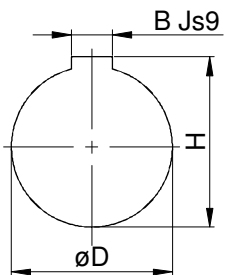
Item #	Description	Material	Part #	Qty
1	Hub	080M40	17010-8	1
2	Hub	080M40	17010-8	1
3	Adaptor	080M40	17030-8	2
4	Spacer	080M40	17040-8	1
5	Disc	AISI 301	17050-8	20
6	Main Bolt	Gr 10.9	17080-8	12
7	Lock Nut	Gr 8	17082-8	12
8	Disc Washer	605 M36T	17060-8	12
9	O/L Washer	605 M36T	17062-8	12
10	Att. Screw	Gr10.9	17090-8	12
11	Lock Washer	B/O	17092-8	12

\* 0.0115 mm/mm Radial Misalignment relates to 0.66° per end

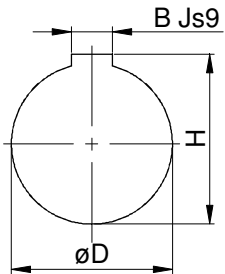
\*\* Distance between Disc Centres = DBSE - 37.8 mm



DRIVER END (NTS)



DRIVEN END (NTS)



DUTY: CONTINUOUS -  
MAXIMUM -  
TRANSIENT -  
OVERSPEED -

COUPLING CAPACITY:  
CONTINUOUS - 940 Nm  
PEAK - 1600 Nm  
TRANSIENT - 2100 Nm

DYNAMIC BALANCE:

ESTIMATED TOTAL VALUES:  
MASS [kg] -  
INERTIA [kgm<sup>2</sup>] -  
TORS STIFF [MNm/Rad] -  
(Includes 1/3 Shaft Penetration)



# Coupling Services Ltd

Tel: +44 (0)1522 688088  
Email: sales@couplingservices.co.uk

Customer: \*

Project: \*

Drawn By: AL

Checked By: JMD

Scale: 1:1 [A2]

Date Drawn: 30/10/13

Date Checked: 30/10/13

Mat'l: See Parts List

Rev.	ECN No.	Rev. Note	By	Date	Chk
A	-	Original Issue	AL	30/10/13	JMD
REVISIONS					
TITLE					DRAWING NO.
CSD80 Disc Coupling					CSD80