

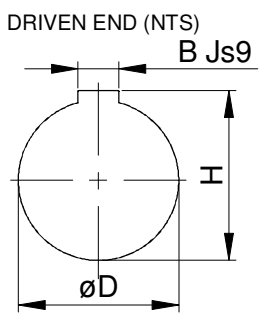
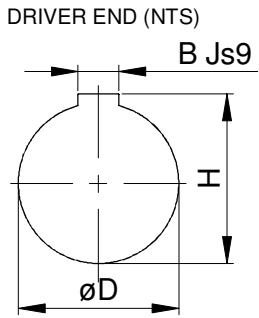
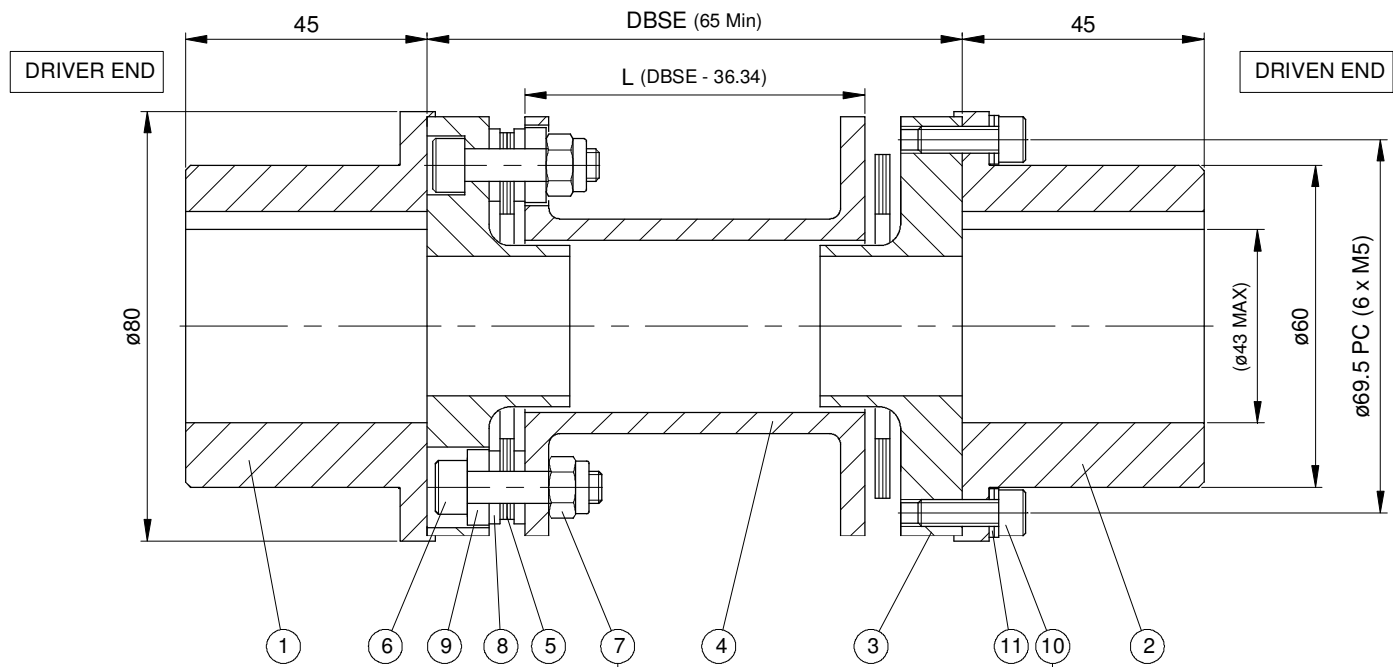
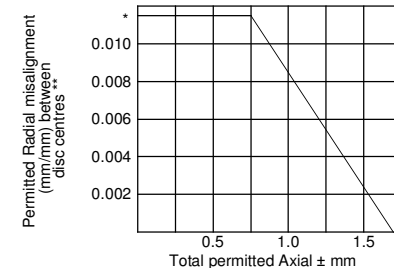
DO NOT SCALE

DIMENSIONS IN mm UNLESS OTHERWISE STATED

3rd ANGLE PROJECTION

PARTS LIST				
Item #	Description	Material	Part #	Qty
1	Hub	080M40	17010-6	1
2	Hub	080M40	17010-6	1
3	Adaptor	080M40	17030-6	2
4	Spacer	080M40	17040-6	1
5	Disc	AISI 301	17050-6	14
6	Main Bolt	Gr 10.9	17080-6	12
7	Lock Nut	Gr 8	17082-6	12
8	Disc Washer	605 M36T	17060-6	12
9	O/L Washer	605 M36T	17062-6	12
10	Att. Screw	Gr10.9	17090-6	12
11	Lock Washer	B/O	17092-6	12

* 0.0115 mm/mm Radial Misalignment relates to 0.66° per end
 ** Distance between Disc Centres = DBSE - 29.7 mm



FACTORY ASSEMBLED. DO NOT DISTURB
 RTT 6 Nm (Lubricated Threads)

DUTY: CONTINUOUS - MAXIMUM - TRANSIENT - OVERSPEED -	ESTIMATED TOTAL VALUES: MASS [kg] - INERTIA [kgm ²] - TORS STIFF [MNm/Rad] - <small>(Includes 1/3 Shaft Penetration)</small>
COUPLING CAPACITY: CONTINUOUS - 360 Nm PEAK - 640 Nm TRANSIENT - 880 Nm	
DYNAMIC BALANCE:	

A	-	Original Issue	AL	4/11/13	JMD
Rev.	ECN No.	Rev. Note	By	Date	Chk



Coupling Services Ltd
 Tel: +44 (0)1522 688088
 Email: sales@couplingservices.co.uk

Customer: *	Project: *
Drawn By: AL	Checked By: JMD
Date Drawn: 4/11/13	Date Checked: 4/11/13
	Scale: 1:1 [A3]
	Mat'l: See Parts List

TITLE		DRAWING NO.	
CSD60 Disc Coupling		CSD60	