

DO NOT SCALE

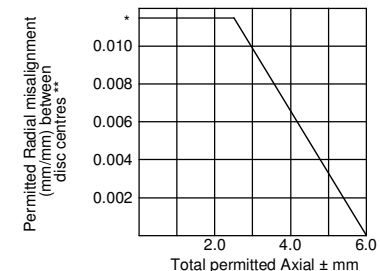
DIMENSIONS IN mm UNLESS OTHERWISE STATED

3rd ANGLE PROJECTION

PARTS LIST

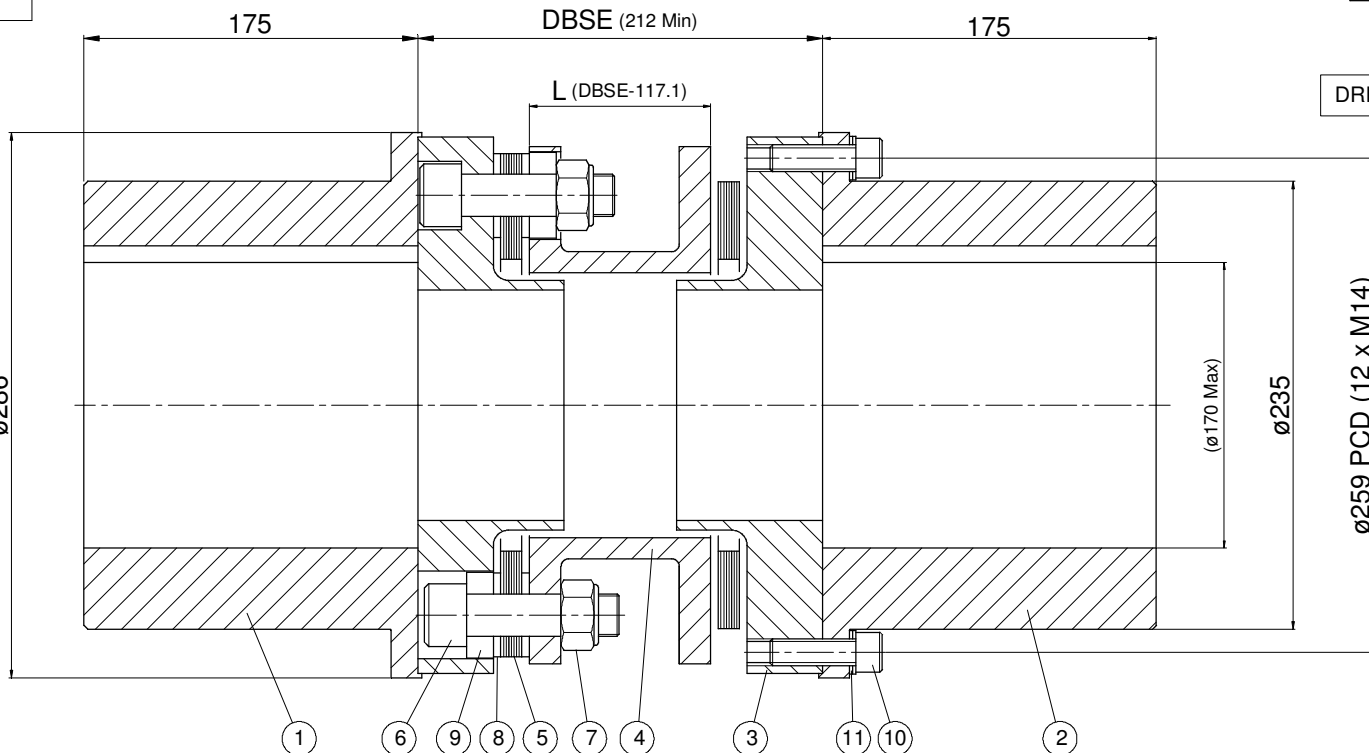
Item #	Description	Material	Part #	Qty
1	Hub	080M40	17010-22	1
2	Hub	080M40	17010-22	1
3	Adaptor	080M40	17030-22	2
4	Spacer	080M40	17040-22	1
5	Disc	AISI 301	17050-22	58
6	Main Bolt	Gr 10.9	17080-22	12
7	Lock Nut	Gr 8	17082-22	12
8	Disc Washer	605 M36T	17060-22	12
9	O/L Washer	605 M36T	17062-22	12
10	Att. Screw	Gr10.9	17090-22	24
11	Lock Washer	B/O	17092-22	24

* 0.0115 mm/mm Radial Misalignment relates to 0.66° per end
 ** Distance between Disc Centres = DBSE - 98.1 mm



DRIVER END

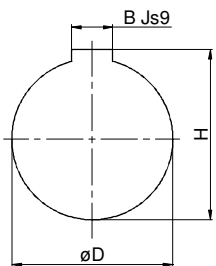
DRIVEN END



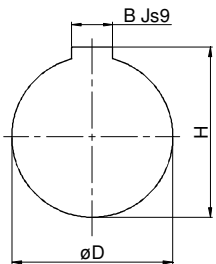
FACTORY ASSEMBLED.
DO NOT DISTURB

RTT 145 Nm
(Lubricated Threads)

DRIVER END (NTS)



DRIVEN END (NTS)



DUTY: CONTINUOUS -
 MAXIMUM -
 TRANSIENT -
 OVERSPEED -

COUPLING CAPACITY:
 CONTINUOUS - 22000 Nm
 PEAK - 38000 Nm
 TRANSIENT - 52000 Nm

DYNAMIC BALANCE:

ESTIMATED TOTAL VALUES:

MASS [kg] -
 INERTIA [kgm²] -
 TORS STIFF [MNm/Rad] -

(Includes 1/3 Shaft Penetration)



Coupling Services Ltd

Tel: +44 (0)1522 688088
 Email: sales@couplingservices.co.uk

Customer: *

Project: *

Drawn By: AL

Checked By: JMD

Scale: 1:1 [A0]

Date Drawn: 12/12/13

Date Checked: 12/12/13

Mat'l: See Parts List

A	-	Original Issue	AL	12/12/13	JMD
Rev.	ECN No.	Rev. Note	By	Date	Chk
REVISIONS					
TITLE					DRAWING NO.
CSD220 Disc Coupling					CSD220