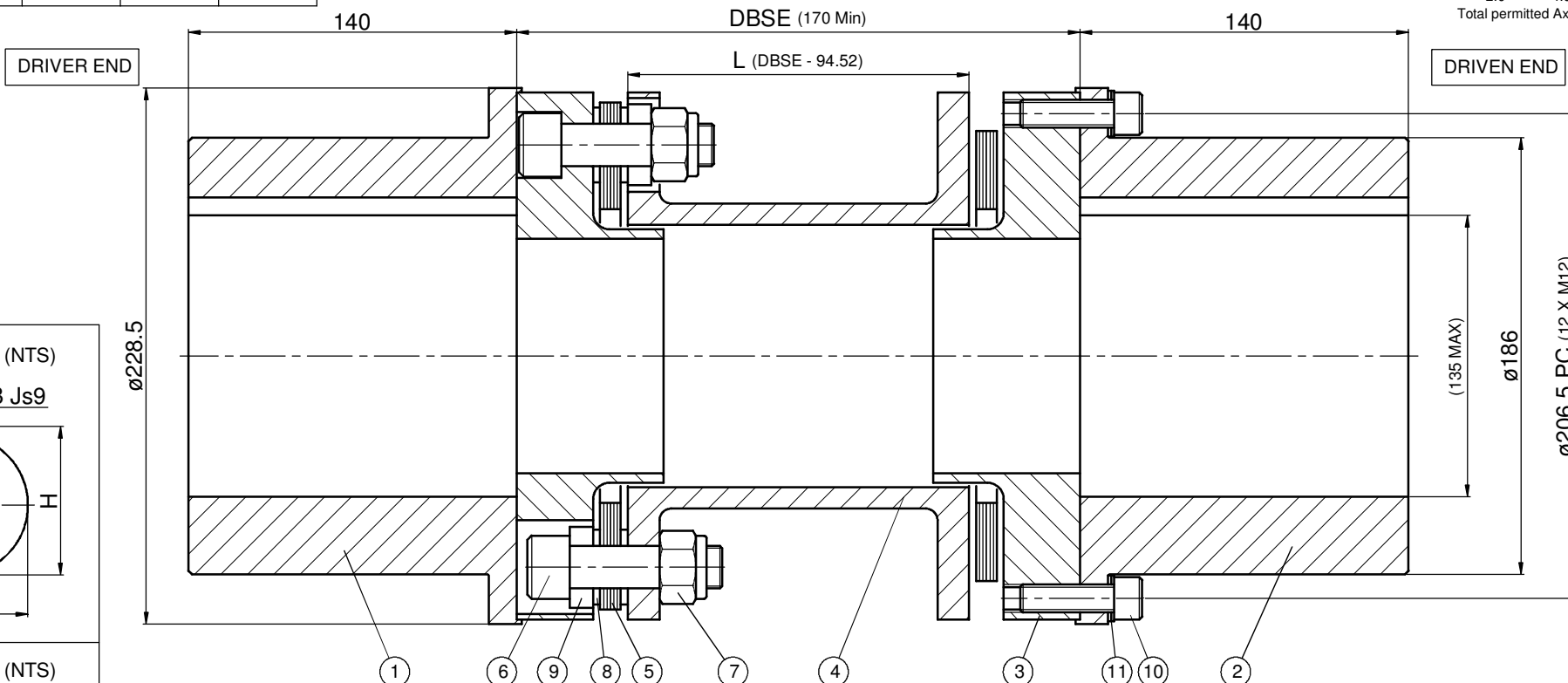
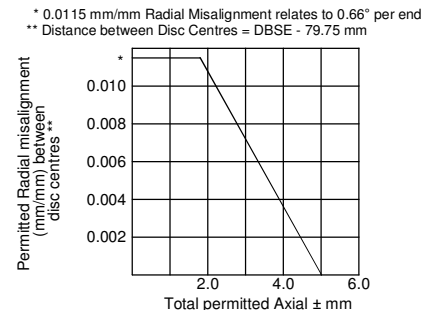


DO NOT SCALE

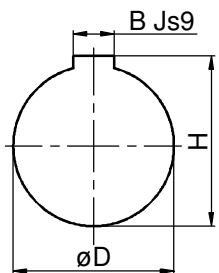
DIMENSIONS IN mm UNLESS OTHERWISE STATED

3rd ANGLE PROJECTION

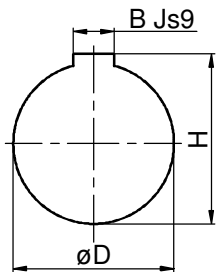
PARTS LIST				
Item #	Description	Material	Part #	Qty
1	Hub	080M40	17010-18	1
2	Hub	080M40	17010-18	1
3	Adaptor	080M40	17030-18	2
4	Spacer	080M40	17040-18	1
5	Disc	AISI 301	17050-18	46
6	Main Bolt	Gr 10.9	17080-18	12
7	Lock Nut	Gr 8	17082-18	12
8	Disc Washer	605 M36T	17060-18	12
9	O/L Washer	605 M36T	17062-18	12
10	Att. Screw	Gr10.9	17090-18	24
11	Lock Washer	B/O	17092-18	24



DRIVER END (NTS)



DRIVEN END (NTS)



FACTORY ASSEMBLED.
DO NOT DISTURB

RTT 90 Nm
(Lubricated Threads)

DUTY: CONTINUOUS -
MAXIMUM -
TRANSIENT -
OVERSPEED -

COUPLING CAPACITY:
CONTINUOUS - 11600 Nm
PEAK - 20000 Nm
TRANSIENT - 27500 Nm

DYNAMIC BALANCE:

ESTIMATED TOTAL VALUES:
MASS [kg] -
INERTIA [kgm²] -
TORS STIFF [MNm/Rad] -
(Includes 1/3 Shaft Penetration)



Coupling Services Ltd

Tel: +44 (0)1522 688088
Email: sales@couplingservices.co.uk

Customer: *	Project: *
Drawn By: AL	Checked By: JMD
Date Drawn: 12/12/13	Date Checked: 12/12/13
Mat'l: See Parts List	

Scale: 1:1 [A1]
Mat'l: See Parts List

Rev.	ECN No.	Rev. Note	By	Date	Chk
A	-	Original Issue	AL	12/12/13	JMD
REVISIONS					
TITLE					DRAWING NO.
CSD180 Disc Coupling					CSD180