

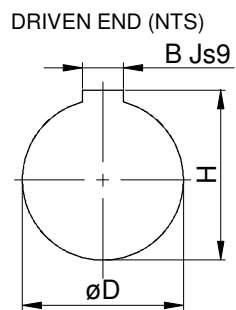
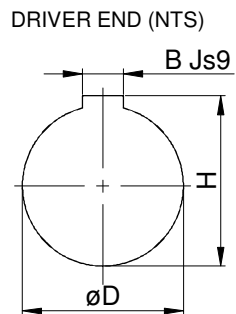
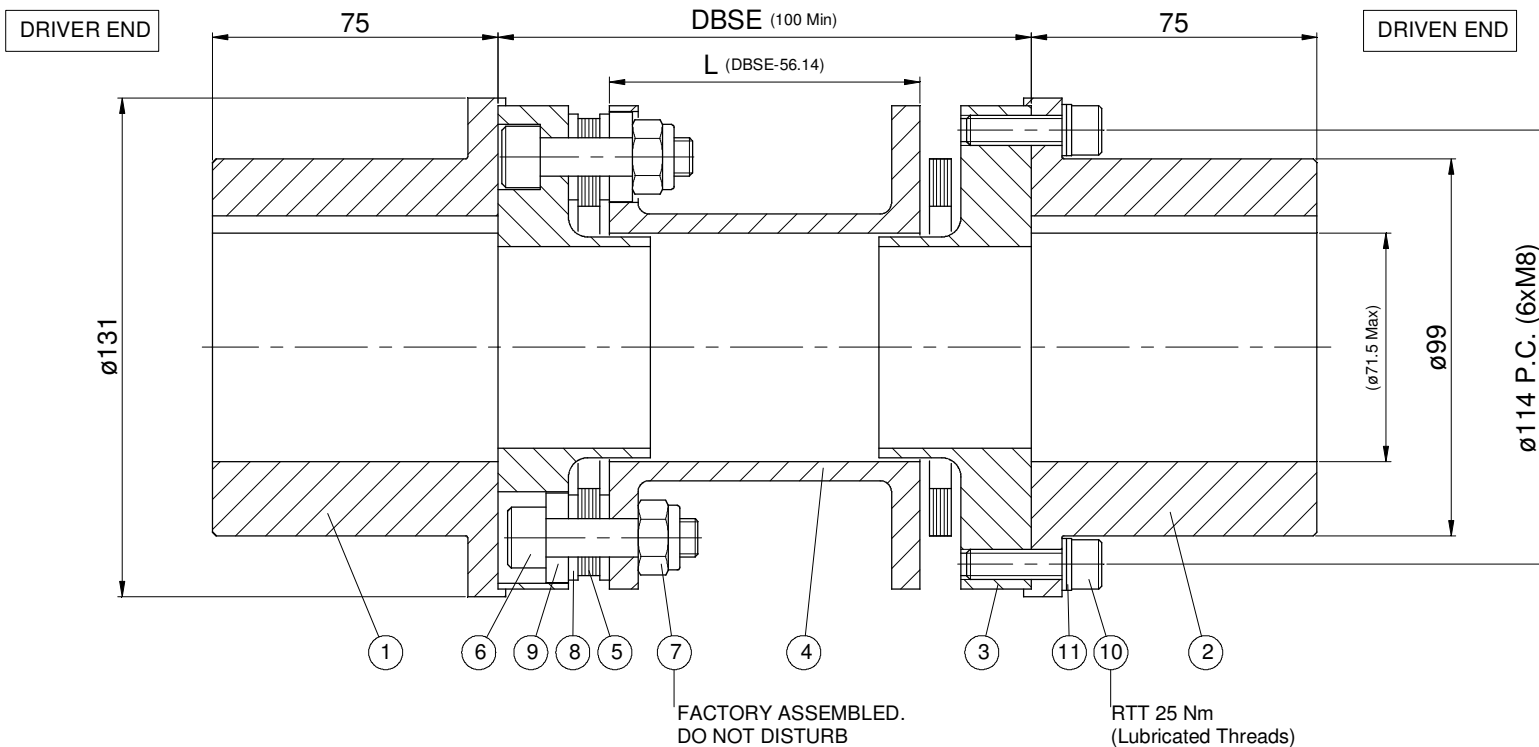
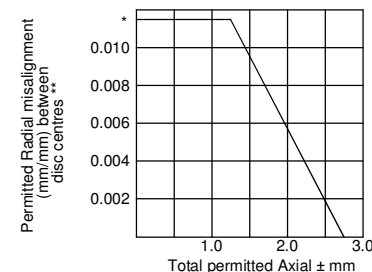
DO NOT SCALE

DIMENSIONS IN mm UNLESS OTHERWISE STATED

3rd ANGLE PROJECTION

PARTS LIST				
Item #	Description	Material	Part #	Qty
1	Hub	080M40	17010-10	1
2	Hub	080M40	17010-10	1
3	Adaptor	080M40	17030-10	2
4	Spacer	080M40	17040-10	1
5	Disc	AISI 301	17050-10	24
6	Main Bolt	Gr 10.9	17080-10	12
7	Lock Nut	Gr 8	17082-10	12
8	Disc Washer	605 M36T	17060-10	12
9	O/L Washer	605 M36T	17062-10	12
10	Att. Screw	Gr10.9	17090-10	12
11	Lock Washer	B/O	17092-10	12

* 0.0115 mm/mm Radial Misalignment relates to 0.66° per end
 ** Distance between Disc Centres = DBSE - 46.6 mm



DUTY: CONTINUOUS - MAXIMUM - TRANSIENT - OVERSPEED -	
COUPLING CAPACITY: CONTINUOUS - 1830 Nm PEAK - 3200 Nm TRANSIENT - 4500 Nm	ESTIMATED TOTAL VALUES: MASS [kg] - INERTIA [kgm ²] - TORS STIFF [MNm/Rad] - (Includes 1/3 Shaft Penetration)

A	-	Original Issue	AL	12/12/13	JMD
Rev.	ECN No.	Rev. Note	By	Date	Chk
REVISIONS					DRAWING NO.
TITLE					CSD100
CSD100 Disc Coupling					CSD100



Coupling Services Ltd
 Tel: +44 (0)1522 688088
 Email: sales@couplingservices.co.uk

Customer: *	Project: *
Drawn By: AL	Checked By: JMD
Date Drawn: 12/12/13	Date Checked: 12/12/13
Scale: 1:1 [A2]	
Mat'l: See Parts List	